



Chair:

- Chair with foldable armrests and footrest,
- Electrically elevated,
- Reclining/swivel system built-in (reclining 40°, swivel 90°)

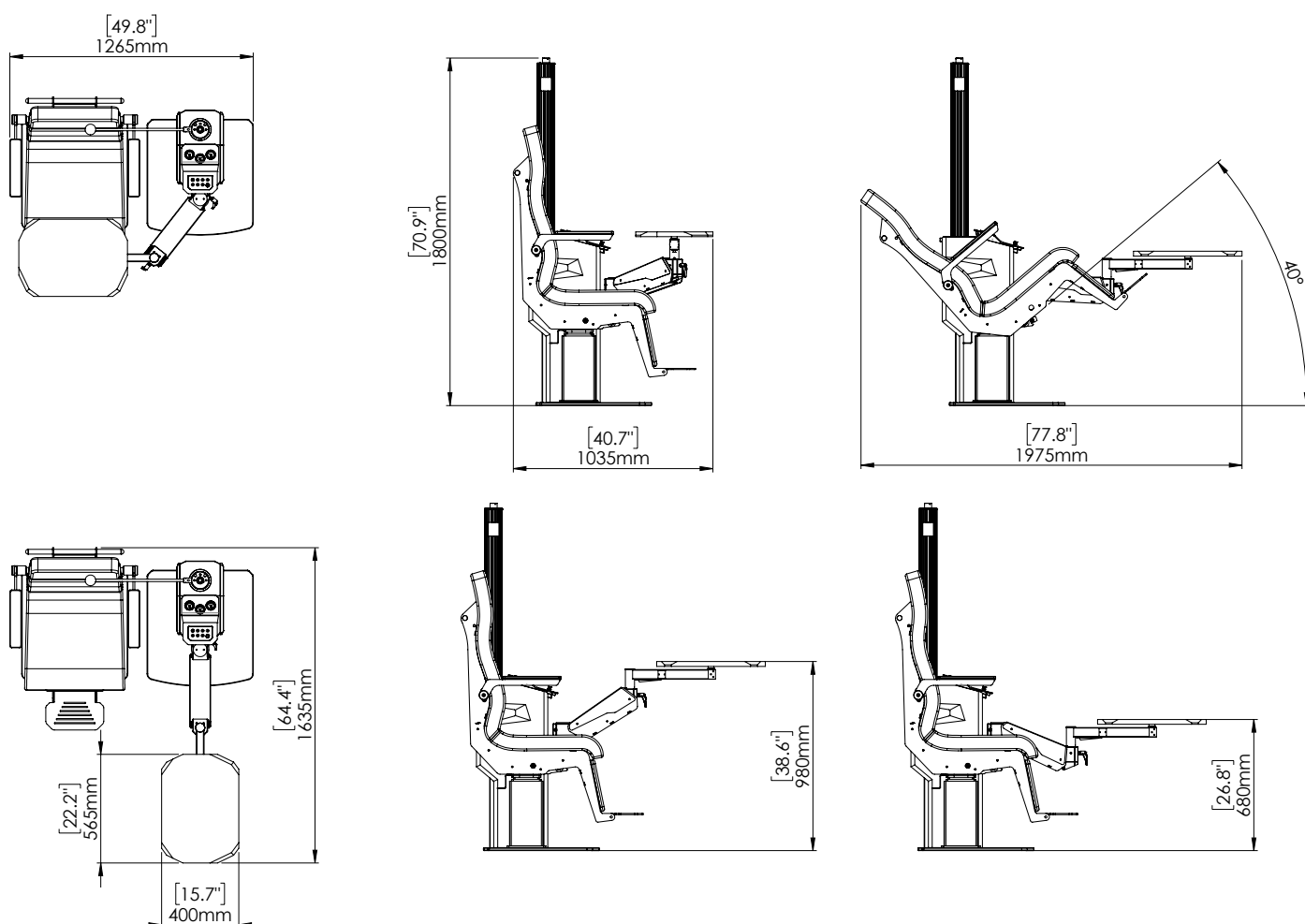
Stand

- Chair operated from main panel and/or switch on table top arm
- PA-1000 counterbalanced phoropter arm (equipped with a gas spring)
- Table top with height adjustment (vertical movement) through locking / release mechanism
- Right or Left-handed setup (available upon on-site installation)
- 3 slots for handholds with LED charge indicator
- Wheelchair accessibility

Dimensions	[mm]	[in]
Width	1 265	49.8
Depth (reclined chair, extended table top)	1 035 (1 975)	40.7 (77.8)
Height	1 800	70.9
Chair height working range	600 - 800	23.5 - 31.4
Table top dimensions	565 x 400	22.2 x 15.7
Table top working range	680 - 980	26.8 - 38.6

Technical specification

Supply voltage*	~110 - 120 / 230 - 240V AC, 50/60Hz
Power	280VA
LED lamp power	4,5W
Power supply cord	3m with type B non Schuko plug
Max. chair load	150kg / 330,7lbs
Packaging	1 pallet, 120x80x160cm, ca. 222kg (gross) / 1 pallet, 47.2x31.5x63", ca. 489lbs (gross)



+48 12 655 30 65
office@mdt.pl
www.mdt.pl/en



MDT sp. z o.o.
ul. Skosna 12A
30-383 Krakow
Poland (EU)